

SINCE 1908  
**wessels**  
 company

**SUBMITTAL**

**WVAD-SERIES**  
 DIRT SEPARATOR

Models: WVAD-2 thru WVAD-12

Submittal Sheet No. D-1017B

Date: 10/17

|                  |                    |            |
|------------------|--------------------|------------|
| Job Name _____   | Submitted By _____ | Date _____ |
| Location _____   | Approved By _____  | Date _____ |
| _____            | Order No. _____    | Date _____ |
| Engineer _____   | Notes _____        |            |
| Contractor _____ |                    |            |
| Sales Rep. _____ |                    |            |

**Description**

Wessels WVAD series Dirt Separators are designed to eliminate entrained air and separate debris associated with start-up and maintenance of any hydronic system. The design incorporates a skim valve for eliminating floating debris, removable end cover for coalescing medium access, and an air vent to automatically release air from the separator.

**Construction**

Shell: Carbon Steel  
 Coalescing Medium: Stainless Steel  
 Blow Down Valve (optional): Brass  
 Skim Valve (optional): Brass  
 Vent (optional): Cast Iron

**Performance Limitations**

Maximum Design Temperature: 250°F  
 Maximum Design Pressure: 150 PSIG\*

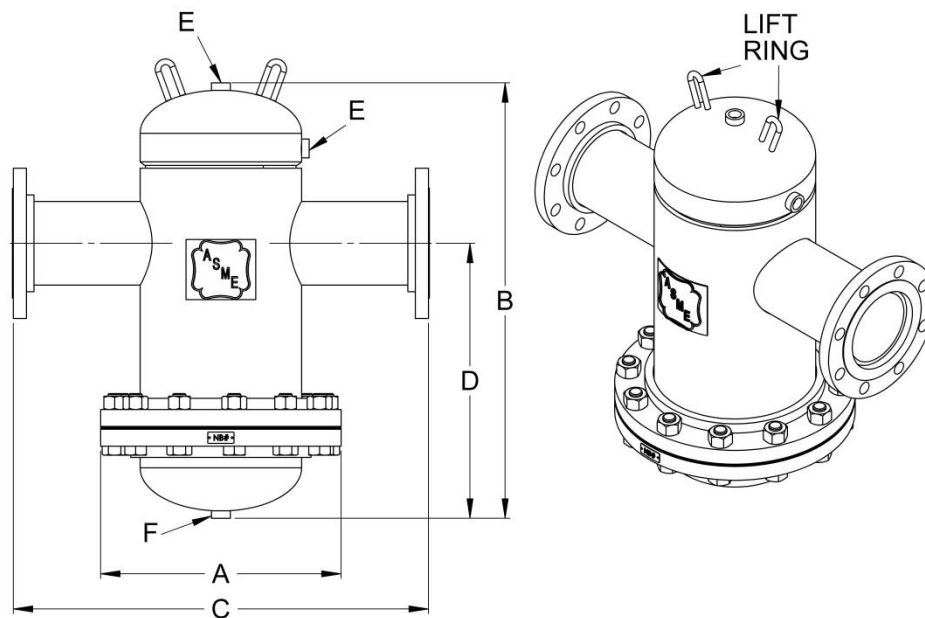
\*125, 200 & 250 PSIG available

| Model Number | Part Number | Max Flow (GPM) | Tagging Information | Quantity |
|--------------|-------------|----------------|---------------------|----------|
| WVAD-2       | 72306002    | 69             |                     |          |
| WVAD-2-NPT   | 72306014    | 69             |                     |          |
| WVAD-2.5     | 72306038    | 108            |                     |          |
| WVAD-2.5-NPT | 72306050    | 108            |                     |          |
| WVAD-3       | 72306074    | 144            |                     |          |
| WVAD-3-NPT   | 72306086    | 144            |                     |          |
| WVAD-4       | 72306110    | 255            |                     |          |
| WVAD-5       | 72306146    | 398            |                     |          |
| WVAD-6       | 72306170    | 570            |                     |          |
| WVAD-8       | 72306194    | 945            |                     |          |
| WVAD-10      | 72306218    | 1440           |                     |          |
| WVAD-12      | 72306242    | 2100           |                     |          |

**Typical Specification**

Furnish and install, as shown on plans, a WVAD-\_\_\_\_\_ Dirt Separator as manufactured by Wessels Company. Each separator must be designed with a blow down valve, skim valve, and automatic air vent. The separator must also utilize in its design a stainless steel coalescing medium to aid in the separation of air and dirt in the system's entrained water. The separator must be constructed in accordance with the most recent addendum of Section VIII Division 1 of the ASME Boiler and Pressure Vessel Code and shall be constructed and stamped for 150 PSI working pressure @ 250°F.

Each air separator shall be Wessels model number WVAD-\_\_\_\_\_ or approved equal.



WVAD-2 thru WVAD-12

### Dimensions & Weights

| Model Number | Dimensions in Inches |        |        |        |        |     |   | Approx Shipping Wt (lbs) |
|--------------|----------------------|--------|--------|--------|--------|-----|---|--------------------------|
|              | Connection Size      | A      | B      | C      | D      | E   | F |                          |
| WVAD-2       | 2                    | 9      | 18 1/2 | 15 1/4 | 11 1/2 | 1/2 | 1 | 64                       |
| WVAD-2-NPT   |                      |        |        | 10 3/8 |        |     |   | 55                       |
| WVAD-2.5     | 2.5                  | 1      |        | 15 3/4 | 82     |     |   |                          |
| WVAD-2.5-NPT |                      |        |        | 11     | 70     |     |   |                          |
| WVAD-3       | 3                    | 11     | 23     | 20 1/4 | 14 1/2 |     |   | 113                      |
| WVAD-3-NPT   |                      |        |        | 12 3/4 |        |     |   | 198                      |
| WVAD-4       | 4                    | 13 1/2 |        | 20 5/8 | 168    |     |   |                          |
| WVAD-5       | 5                    | 16     |        | 27 3/4 | 245    |     |   |                          |
| WVAD-6       | 6                    | 19     | 31     | 19 1/2 | 347    |     |   |                          |
| WVAD-8       | 8                    | 23 1/2 | 36     | 33 5/8 | 24 1/2 |     |   | 451                      |
| WVAD-10      | 10                   | 27 1/2 | 46     | 37 1/2 | 32 1/2 |     |   | 711                      |
| WVAD-12      | 12                   | 32     | 54     | 42 1/2 | 38     |     |   | 1121                     |

### Notes

- Trim package is optional.