

# Full-Flow Domestic Hot water Expansion Tanks

## TTA-Rx-FF Series

Wessels TTA-Rx-FF series ASME Full-Flow Fixed Diaphragm Tank For Expansion Pressure Control With WessView, Pressure Gauge and Antimicrobial Internal Optional: WessGuard Upgrade

### APPLICATIONS

Open-System

Potable

Water Heating

Fresh Hot Water

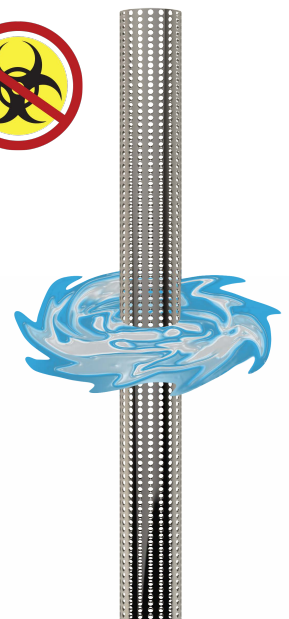
R/O Water



Wessels TTA-Rx-FF vessels are Full-Flow ASME fixed diaphragm type pre-charged expansion tanks with an internal antimicrobial flow through mixing chamber. They are designed to absorb expansion volumes, control pressure, and disrupt stagnant water in potable water heating systems. TTA-Rx-FF vessels feature the industry's highest acceptance reservoir volume. The system's expanded water is contained in a fixed heavy-duty butyl bladder that prevents tank corrosion, waterlogging and fights the build-up of pathogens. All TTA-Rx-FF expansion tanks can be installed vertically or horizontally.

### ADVANCED Rx PROTECTION

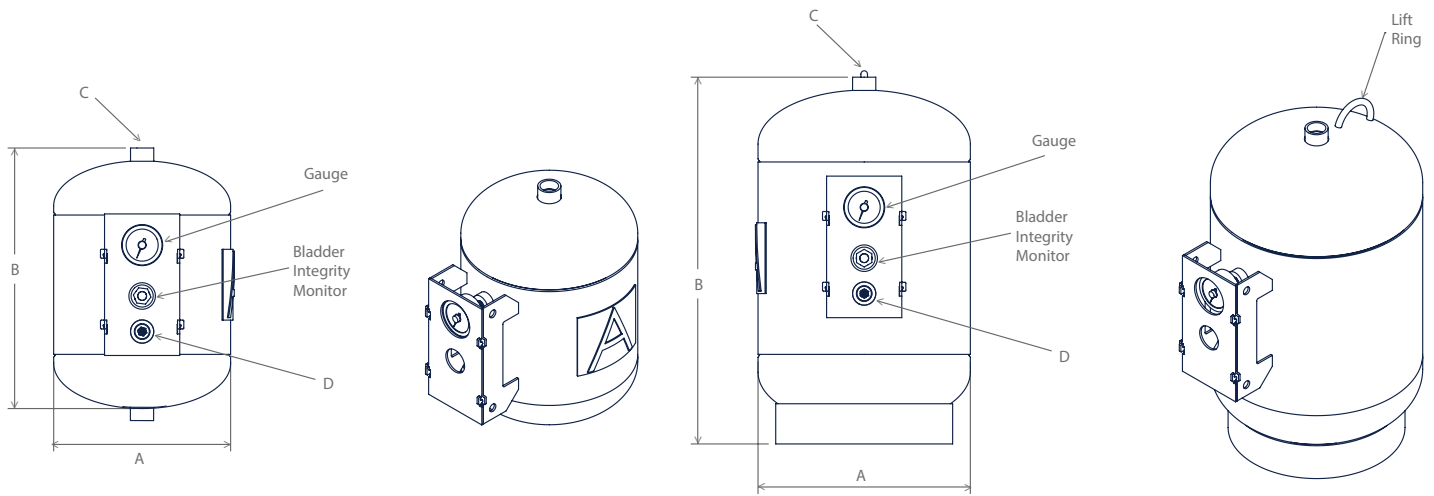
- Full-Flow antimicrobial internal disrupts stagnant water and the growth of harmful biofilms and pathogens
- Pressure gauge integrated
- WessView® bladder integrity monitor included
- WessGuard® proximity sensor port adaptable
- Easy-access air valve
- Tamper-resistant secure guard mount
- Designed and fabricated in accordance with ASME Boiler & Pressure vessel code
- Standard design pressure is 150 psi (8.6 bar)
- Available in carbon steel, 304 or 316L stainless steel
- Factory pre-charge pressure set to high 40 psi and field adjustable
- Separation of water and air with bladder
- Higher pressure ratings available



SINCE 1908

**wessels**  
company

# TTA-Rx-FF



TTA-5-Rx-FF & TTA-12-Rx-FF

TTA-20-Rx-FF TO TTA-210-Rx-FF

MODEL	DIMENSIONS (in.)					APPROX. WEIGHT (lbs)
	A	B	SYSTEM CONNECTION	CHARGING VALVE	E	
			C	D		
TTA-5-Rx-FF	10	14	3/4	0.302" - 32NC	-	22
TTA-12-Rx-FF	12	14	3/4	0.302" - 32NC	-	28
TTA-20-Rx-FF	12	20	3/4	0.302" - 32NC	10	34
TTA-30-Rx-FF	16	24	1	0.302" - 32NC	14	64
TTA-42-Rx-FF	16	31	1	0.302" - 32NC	14	88
TTA-60-Rx-FF	16	34	1	0.302" - 32NC	14	93
TTA-80-Rx-FF	16	45	1	0.302" - 32NC	14	109
TTA-100-Rx-FF	20	39	1	0.302" - 32NC	18	148
TTA-125-Rx-FF	20	50	1	0.302" - 32NC	18	175
TTA-160-Rx-FF	24	47	1 1/2	0.302" - 32NC	22	259
TTA-180-Rx-FF	24	50	1 1/2	0.302" - 32NC	22	268
TTA-210-Rx-FF	24	53	1 1/2	0.302" - 32NC	22	283

**Note:**

- Tanks are factory pre-charged at 40 psi and field adjustable.
- California code-sight glass is available upon request.
- Lifting on models TTA-20-Rx-FF thru TTA-210-Rx-FF
- Available with mounting clips.

## TYPICAL SPECIFICATION

Furnish and install, as shown on plans, a \_\_\_\_\_ gallon \_\_\_\_\_" diameter X \_\_\_\_\_" (high) pre-charged steel domestic hot water expansion tank with a fixed FDA heavy-duty butyl diaphragm. The tank is to incorporate a flow through design, eliminating water stagnation potential. The flow through chamber will incorporate silver plated antimicrobial material. The tank shall be equipped with a NPT stainless steel system connection and a 0.302"-32 charging valve connection (standard tire valve) to facilitate the on-site charging of the tank to meet system requirements. The tank must be constructed in accordance with most recent addendum of Section VIII Division 1 of the ASME Boiler and Pressure Vessel Code, and rated for 150 psi working pressure. Products comply with NSF/ANSI Standard 61.

Each tank shall be Wessels model number TTA-\_\_\_\_\_-Rx-FF or approved equal.

## UPGRADE TO SMART WESSGUARD® TANK PROTECTION

Wessels Type TTA-Rx-FF-WG Smart Tanks are ASME fixed bladder type pre-charged, expansion tanks, with patented WessGuard® bladder monitor. They are designed to absorb the expansion forces and control the pressure in heating/cooling systems and come equipped with a uniquely designed capacitive sensor that is sensitive to any movement inside the tank.

The system's expanded water is contained in a heavy-duty bladder preventing tank corrosion and waterlogging problems. If the bladder extends beyond the normal movement, WessGuard® monitor will activate an audible LED alarm and energy management system to notify maintenance staff of a potential system issue.



SINCE 1908  
**wessels**  
company

101 Tank Street Greenwood, IN 46143  
P: 317-888-9800 F: 317-865-7411  
www.westank.com