

SINCE 1908
wessels
 company

SUBMITTAL

SSA-SERIES
 SHOCK AND SURGE TANKS

Models: SSA-35 to SSA-800L
 Submittal Sheet No. E-1001A Rev. 1 4/16/2019

Job Name _____	Submitted By _____	Date _____
Location _____	Approved By _____	Date _____
_____	Order No. _____	Date _____
Engineer _____	Notes _____	_____
Contractor _____	_____	_____
Sales Rep. _____	_____	_____

Description:

Wessels SSA Shock and Surge tanks are ASME replaceable bladder pre-charged hydro-pneumatic tanks for commercial, industrial, municipal, and well water systems that effectively control water hammer shock and pump start-up and shut-down water surge. The vessels are fabricated to 250 PSI with large water system connection designed to accept potentially harmful water surge pressures quickly with minimal pressure drop. The water is contained in a butyl bladder.

Construction:

Shell: Carbon Steel
 Bladder: Heavy Duty Butyl
 System Connection: Carbon Steel

Design Parameters:

Maximum Design Pressure: 250 PSIG*
 Temperature Range: -20°F to 240°F

*Higher pressures also available

MODEL NUMBER	PART NUMBER	TANK VOLUME (GAL)	TAGGING INFORMATION	QUANTITY
SSA-35	26050035	10		
SSA-50	26050050	13		
SSA-85	26050085	23		
SSA-130	26050130	35		
SSA-200	26050200	53		
SSA-300	26050300	79		
SSA-400	26050400	106		
SSA-500	26050500	132		
SSA-600	26050600	158		
SSA-700	26050700	185		
SSA-800L	26050800	211		

Typical Specification:

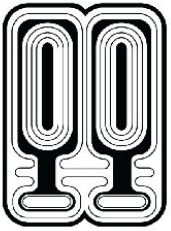
Furnish and install, as shown on plans, a _____ gallon _____" diameter X _____" (high) pre-charged hydro-pneumatic expansion tank with heavy-duty butyl bladder. The tank shall have NPT, flanged, or grooved system connections and a 0.302"-32 charging valve connection (standard tire valve) to facilitate the on-site charging of the tank to meet system requirements. The tank must be constructed in accordance with most recent addendum of Section VIII Division 1 of the ASME Boiler and Pressure Vessel Code.

Each tank shall be Wessels model number SSA-_____ or approved equal.



SINCE 1908
wessels
 company

101 Tank Street Greenwood, IN 46143
 P: 317-888-9800 F: 317-865-7411
 www.westank.com

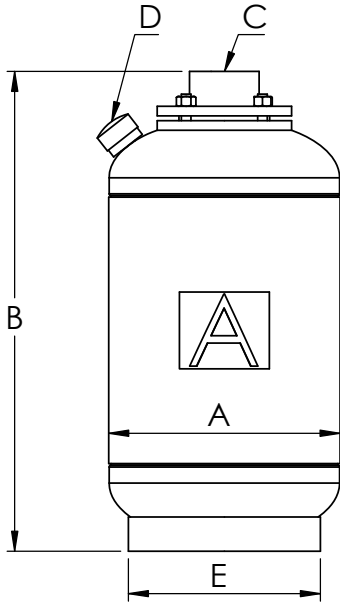


SINCE 1908
wessels
 company

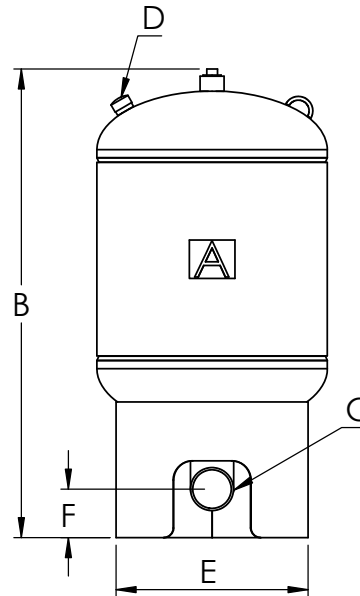
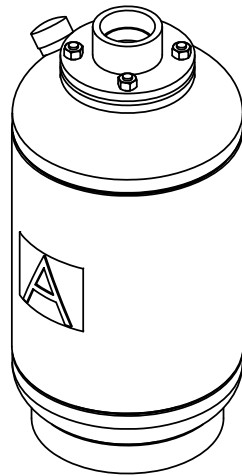
SUBMITTAL

SSA-SERIES
 SHOCK AND SURGE TANKS

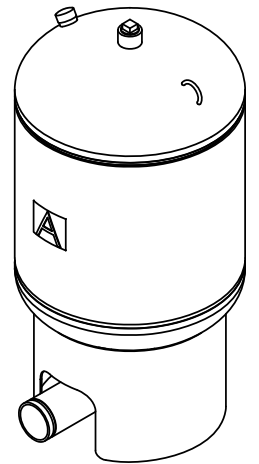
Models: SSA-35 to SSA-800L
 Submittal Sheet No. E-1001A Rev. 1 4/16/2019



SSA-35 thru SSA-130



SSA-200 thru SSA-800L



Dimensions & Weights:

Model Number	DIMENSIONS IN INCHES						Approx. Shipping Weight (lbs)
	A	B	C	D	E	F	
SSA-35	12	25	2 1/2 NPT	0.302" - 32NC	10	-	63
SSA-50	14	26			74		
SSA-85	16	30 1/2	3 NPT		12		116
SSA-130	20				16	135	
SSA-200	24	47	4 G		20	5	250
SSA-300	30	58 1/2			6 G	24	3 5/8
SSA-400		52 1/2	5 1/4				430
SSA-500		63	6			749	
SSA-600		71					
SSA-700		81 1/2	6 1/2				
SSA-800L		32	84	6		760	

Notes:

- Tanks are factory pre-charged at 30 psi and field adjustable.
- Available with mounting clips.
- SSA-35 and SSA-50 have NPT system connection.
- G-Grooved Pipe Connection/ F-Flanged Connection available



SINCE 1908
wessels
 company

101 Tank Street Greenwood, IN 46143
 P: 317-888-9800 F: 317-865-7411
 www.westank.com