



SINCE 1908
wessels
 company

SUBMITTAL

SSA-SERIES

SHOCK AND SURGE TANKS

Models: SSA 1000 thru SSA 15000

Submittal Sheet No. E-1002A

Date: 4/16

Job Name _____	Submitted By _____	Date _____
Location _____	Approved By _____	Date _____
_____	Order No. _____	Date _____
Engineer _____	Notes _____	
Contractor _____	_____	
Sales Rep. _____	_____	

Description

Wessels type SSA Tanks are ASME replaceable bladder pre-charged hydro-pneumatic tanks for commercial, industrial, municipal and well water systems that effectively control water hammer shock and pump start-up and shut-down water surge. The vessels are fabricated to 250 PSI with large water system connection designed to accept potentially harmful water surge pressures quickly with minimal pressure drop. The water is contained in a butyl bladder.

Construction

Shell: Carbon Steel
 Bladder: Heavy Duty Butyl
 System Connection: Carbon Steel

Performance Limitations

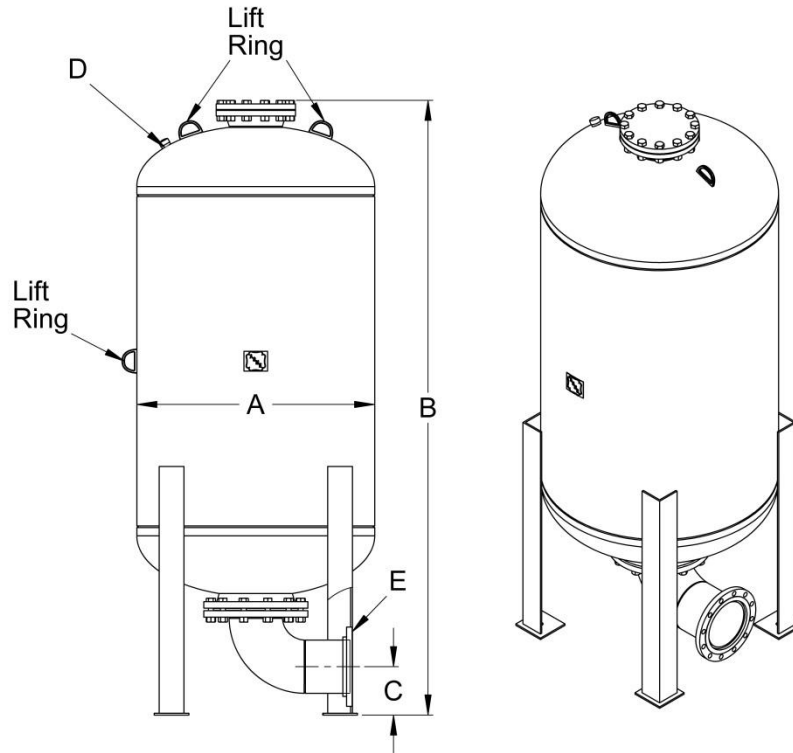
Maximum Design Temperature: 230°F
 Maximum Design Pressure: 250 PSIG

Model Number	Part Number	Tank Volume (Gallons)	Tagging Information	Quantity
SSA-1000	20651000	264		
SSA-1200	26051200	317		
SSA-1400	26051400	370		
SSA-1600	26051600	422		
SSA-2000	26052000	528		
SSA-2500	26052500	660		
SSA-3000L	26053000	792		
SSA-3000S	26053001	792		
SSA-4000	26054000	1056		
SSA-5000	26055000	1320		
SSA-7500	26057500	1980		
SSA-10000	26059999	2640		
SSA-15000	26059998	3963		

Typical Specification

Furnish and install, as shown on plans, a _____ gallon _____" diameter X _____" (high) pre-charged hydro-pneumatic expansion tank with heavy-duty butyl bladder. The tank shall have flanged system connections and a 0.302"-32 charging valve connection (standard tire valve) to facilitate the on-site charging of the tank to meet system requirements. The tank must be constructed in accordance with most recent addendum of Section VIII Division 1 of the ASME Boiler and Pressure Vessel Code.

Each tank shall be Wessels model number SSA-_____ or approved equal.



SSA 1000 thru SSA 15000

Dimensions & Weights

Model Number	Dimensions in Inches					Approx. Ship Wt. (lbs)
	A	B	C	Charging Valve	System Connection	
				D	E	
SSA-1000	36	96	10 1/2	0.302" -32NC	10 F	830
SSA-1200		107				1118
SSA-1400		119				1330
SSA-1600	48	92				1713
SSA-2000		105				2026
SSA-2500		122				2352
SSA-3000L		138				2782
SSA-3000S	60	108				2965
SSA-4000		133				3736
SSA-5000		152				4485
SSA-7500	72	165				6583
SSA-10000		196	8068			
SSA-15000		217	12	12 F	12030	

Notes

- Tanks are factory pre-charged at 30 psi and field adjustable.
- Available with mounting clips.
- F-Flanged Connection/ G-Grooved Pipe Connection (Available)