

SINCE 1908
wessels
 company

SUBMITTAL

SS-CPBF-SERIES

STAINLESS CHEMICAL POT FEEDER TANK

Models: SS-CPBF-2 & SS-CPBF-5

Submittal Sheet No. K-1004C

Date: 4/23

Job Name _____	Submitted By _____	Date _____
Location _____	Approved By _____	Date _____
_____	Order No. _____	Date _____
Engineer _____	Notes _____	_____
Contractor _____	_____	_____
Sales Rep. _____	_____	_____

Description

Wessels SS-CPBF series chemical pot feeder bag filtration bypass tanks are designed for reliable induction of chemical treatment while providing superior filtration in a closed loop HVAC system. Typically used in hydronic and process piping systems, SS-CPBF vessels support industry standard #1 or #2 filter bags (sold separately). With all stainless steel hardware, the swing-bolt closure provides easy access to the required micron filter bag. The bag's positive pressure integrity is held by a device mounted internally. 5 or 2 gallon capacity available with 2" flanged or NPT connections. Compatible with WesMag® Magnetic Filtration elements.

Construction

304-Stainless Steel
 316L Stainless steel filter bag support bracket
 Interior and exterior surfaces are passivated for enhanced corrosion protection

Performance Limitations

Maximum Design Temperature: 300°F
 Maximum Design Pressure: 150 PSIG
 1µ to 100µ size #1 or #2 bag (sold separately)

Available Options

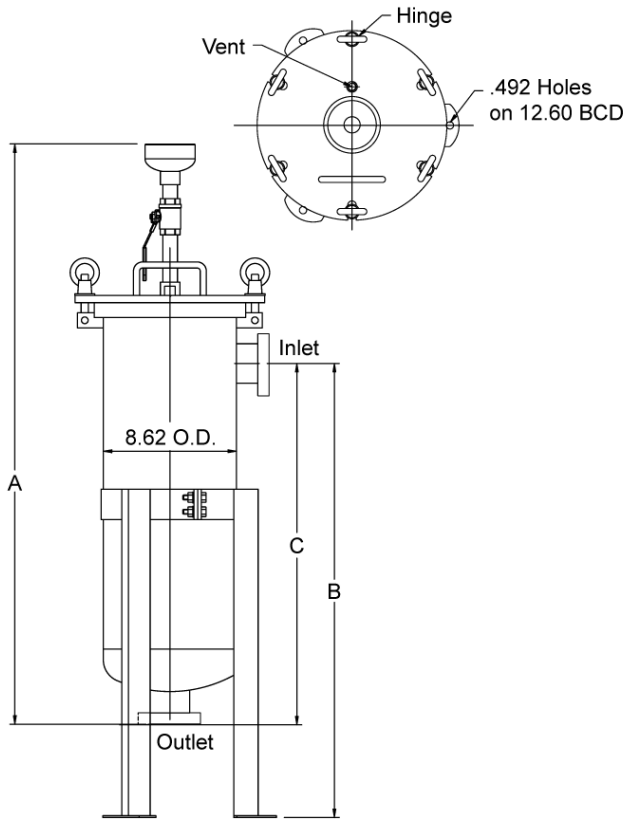
WesMag® Magnetic Filtration

Model Number	Part Number	Volume (Gallons)	Tagging Information	Quantity
SS-CPBF-2	118-1100	2		
SS-CPBF-5	118-1334	5		
SS-CPBF-2F	118-1378	2		
SS-CPBF-5F	118-1361	5		

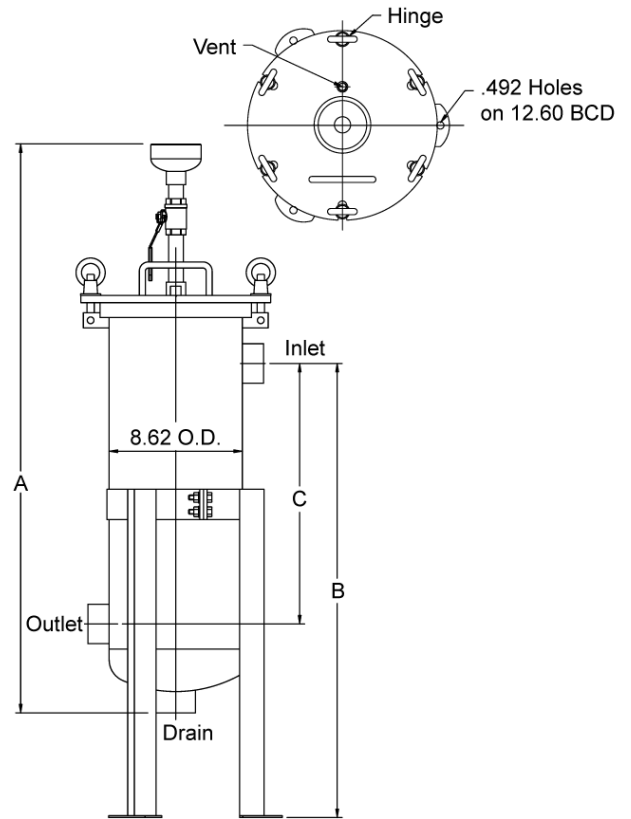
Typical Specification

Furnish and install, as indicated on the plans and specifications, a _____ gallon chemical pot feeder bag filter bypass tank. The vessel shall incorporate a chemical fill basin with a minimum dimension of 6" to help facilitate complete introduction of required solutions. The vessel shall be constructed for 150 psi working pressure and 300°F. Vessels are designed to accommodate common industrial filter bag sizes #1 and #2. The SS-CPBF shall be equipped with a _____ µ filter bag (sold separately).

Each tank shall be model SS-CPBF-_____ as manufactured by Wessels Company or approved equal. SS-CPBF vessels are also available with WesMag® Magnetic Filtration elements.



SS-CPBF-F Flanged



SS-CPBF NPT

Dimensions & Weights

Model Number	Connection Size (Inches)	Connection Type (Flange/NPT)	Bag Size	Dimensions in Inches			Shipping Weight (lbs.)
				A	B	C	
SS-CPBF-2	2	NPT	#1	37 1/4	26-33	16 1/4	64
SS-CPBF-5	2	NPT	#2	51	37-52	30	82
SS-CPBF-2F	2	Flange	#1	37 1/2	27-36	24	82
SS-CPBF-5F	2	Flange	#2	51	38-55	37 3/4	100

Notes

- Compatible with WesMag® Magnetic Filtration elements.