

SINCE 1908
wessels
 company

SUBMITTAL
NVA-SERIES

Models: NVA-85 to NVA-800L
 Submittal Sheet No. A-1012B Rev. 1 4/25/2019

Job Name _____ Location _____ _____ Engineer _____ Contractor _____ Sales Rep. _____	Submitted By _____ Date _____ Approved By _____ Date _____ Order No. _____ Date _____ Notes _____ _____ _____
---	--

Description:

Wessels NVA Tanks are ASME removable bladder type pre-charged expansion tanks. They are designed to absorb the expansion forces and control the pressure in heating / cooling systems. The system's expanded water (fully compatible with water / glycol mixtures) is contained in a full acceptance heavy-duty butyl bladder that prevents tank corrosion and waterlogging problems. All NVA expansion tanks can be installed vertically or horizontally.

Construction:

Shell: Carbon Steel
 Bladder: Heavy Duty Butyl
 System Connection: Carbon Steel

Design Parameters:

Maximum Design Temperature: 240°F
 Maximum Design Pressure: 125 PSIG*

*200 & 250 PSIG available

MODEL NUMBER	PART NUMBER	TANK VOLUME (GALLONS)	TAGGING INFORMATION	QUANTITY
NVA-85	22000085	23		
NVA-130	22000130	35		
NVA-200	22000200	53		
NVA-300	22000300	79		
NVA-400	22000400	106		
NVA-500	22000500	132		
NVA-600	22000600	158		
NVA-800L	22000805	211		

Typical Specification:

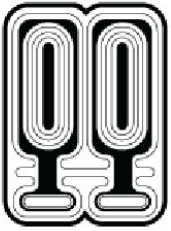
Furnish and install, as shown on plans, a _____ gallon _____" diameter X _____" (high) pre-charged steel expansion tank with heavy-duty butyl bladder. The tank shall have NPT system connections and a 0.302"-32 charging valve connection (standard tire valve) to facilitate the on-site charging of the tank to meet system requirements. The tank shall be fitted with lifting rings and a floor mounting skirt for vertical installation. The tank must be constructed in accordance with most recent addendum of Section VIII Division 1 of the ASME Boiler and Pressure Vessel Code.

Each tank shall be Wessels model number NVA-_____ or approved equal.



SINCE 1908
wessels
 company

101 Tank Street Greenwood, IN 46143
 P: 317-888-9800 F: 317-865-7411
 www.westank.com



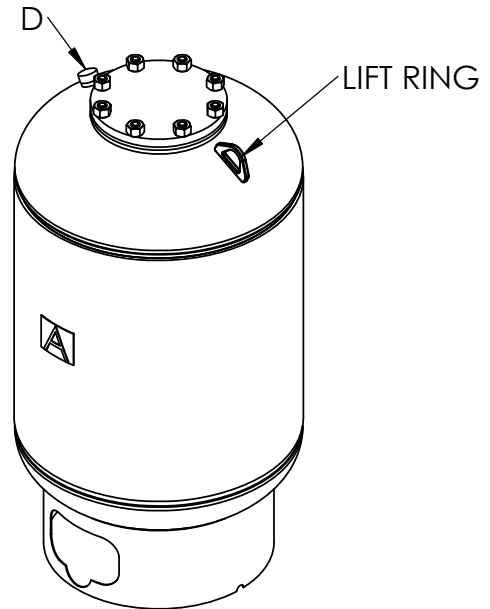
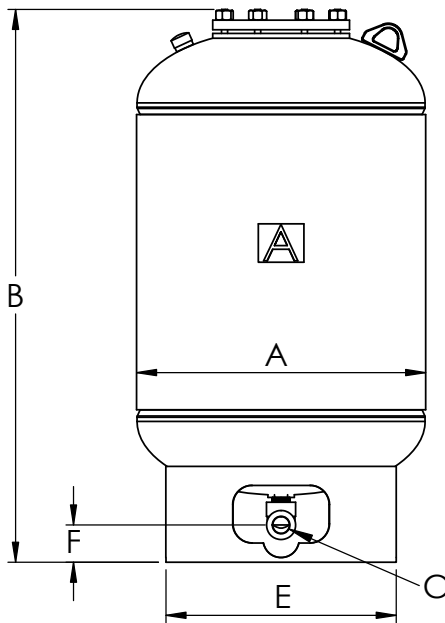
SINCE 1908
wessels
 company

SUBMITTAL

NVA-SERIES

Models: NVA-85 to NVA-800L

Submittal Sheet No. A-1012B Rev. 1 4/25/2019



NVA-85 thru NVA-800L

Dimensions & Weights:

Model Number	DIMENSIONS IN INCHES						Approx. Shipping Weight (lbs)
	A	B	C	D	E	F	
NVA-85	16	37	1	0.302"- 32NC	12	5 1/4	90
NVA-130	20				16		125
NVA-200	24	43	20		210		
NVA-300		55	225				
NVA-400	30	49	24		5 1/2	300	
NVA-500		57			330		
NVA-600	32	65	28		4 3/4	360	
NVA-800L		76				475	

Notes:

- Tanks are factory pre-charged at 12 psi and field adjustable.
- California code-sight glass is available upon request.
- Available with mounting clips.



SINCE 1908
wessels
 company

101 Tank Street Greenwood, IN 46143
 P: 317-888-9800 F: 317-865-7411
 www.westank.com