

SINCE 1908
wessels
 company

SUBMITTAL

FXA-SERIES

WATER WELL & PRESSURE BOOSTER
 EXPANSION TANKS

Models: FXA-1000 to FXA-15000

Submittal Sheet No. C-1006B Rev. 2 1/28/2019

Job Name _____	Submitted By _____	Date _____
Location _____	Approved By _____	Date _____
_____	Order No. _____	Date _____
Engineer _____	Notes _____	_____
Contractor _____	_____	_____
Sales Rep. _____	_____	_____

Description:

Wessels patented type FXA tanks are ASME replaceable bladder type pre-charged water well & pressure booster expansion tanks for commercial and industrial well and water systems, booster systems, or other potable water applications. They are designed to deliver water under pressure between pump cycles to provide sufficient flow to meet demands. The water is contained in a butyl bladder. All FXA hydro-pneumatic tanks can be installed vertically or horizontally. Products comply with NSF/ANSI Standard 61.

Construction:

Shell: Carbon Steel
 Heads: Carbon Steel
 Exterior: Carbocoat 140 - Harvester Red
 Bladder: Heavy Duty Butyl
 FDA Approved
 NSF 61 Listed
 System Connection: Epoxy lined

Design Parameters:

Maximum Design Pressure: 125 PSIG*
 Temperature Range: -20°F to 240°F

*150, 200 & 250 PSIG available



Complies with NSF61

Model Number	Part Number	Tank Volume (Gallons)	Tagging Information	Quantity
FXA-1000	21011000	264		
FXA-1200	21011200	317		
FXA-1400	21011400	370		
FXA-1600	21011600	422		
FXA-2000	21012000	528		
FXA-2500	21012500	660		
FXA-3000L	21013000	792		
FXA-3000S	21013001	792		
FXA-4000	21014000	1056		
FXA-5000	21015000	1320		
FXA-7500	21017500	1980		
FXA-10000	21019999	2640		
FXA-15000	21500000	3963		

Typical Specification

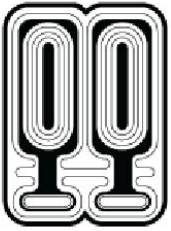
Furnish and install, as shown on plans, a _____ gallon _____" diameter X _____" (high) pre-charged steel water well & pressure booster expansion tank with replaceable heavy-duty butyl bladder. The tank shall have NPT epoxy lined system connections and a 0.302"-32 charging valve connection (standard fire valve) to facilitate the on-site charging of the tank to meet system requirements, a pressure gauge, and bladder integrity monitor. The tank must be constructed in accordance with most recent addendum of Section VIII Division 1 of the ASME Boiler and Pressure Vessel Code. Products comply with NSF/ANSI Standard 61.

Each tank shall be Wessels model number FXA-_____ or approved equal.



SINCE 1908
wessels
 company

101 Tank Street Greenwood, IN 46143
 P: 317-888-9800 F: 317-865-7411
 www.westank.com



SINCE 1908
wessels
 company

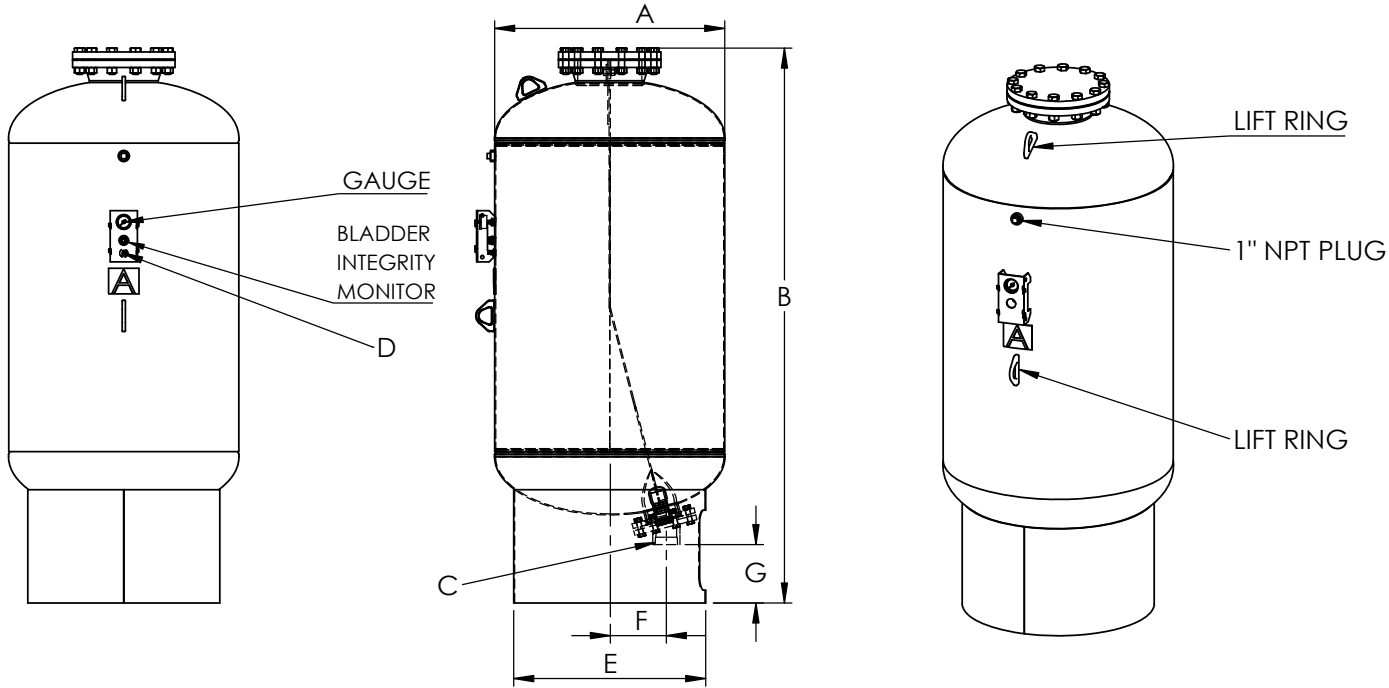
SUBMITTAL

FXA-SERIES

WATER WELL & PRESSURE BOOSTER
 EXPANSION TANKS

Models: FXA-1000 to FXA-15000

Submittal Sheet No. C-1006B Rev. 2 1/28/2019



FXA-1000 TO FXA-15000

Dimensions & Weights:

Model Number	Dimensions in Inches							Approx. Shipping Weight (lbs)
	A	B	System Connection C	Charging Valve D	E	F	G	
FXA-1000	36	87	3	0.302- 32NC	30	8	9 1/8	735
FXA-1200		98 1/2					745	
FXA-1400		110 1/2					900	
FXA-1600	48	84	4	0.302- 32NC	42	9	9 1/8	1210
FXA-2000		96					1305	
FXA-2500		110					1430	
FXA-3000L		133					1575	
FXA-3000S	60	93	4	0.302- 32NC	54	10	9 3/4	2169
FXA-4000		115					2638	
FXA-5000		138					3246	
FXA-7500	72	140	4	0.302- 32NC	60	11	8	4080
FXA-10000		172					4920	
FXA-15000		243					6000	

Notes:

- Tanks are factory pre-charged at 40 psig and field adjustable.
- California code-sight glass is available upon request.
- Tanks installed horizontally must have the system connection below the horizontal centerline of the tank.
- Mounting clips are available upon request.
- U.S. Patent No. 8,633,825 B2



SINCE 1908
wessels
 company

101 Tank Street Greenwood, IN 46143
 P: 317-888-9800 F: 317-865-7411
 www.westank.com